



VUE 30/40[®]

SXY

DOOR PARTS SECTION



READING A PARTS LIST

- I **ITEM NUMBER** is found in two locations:
 - A. It is on the drawing plate, and identifies the part and its location;
 - B. The same number is in the parts lists and ties the two together.

 - II **PART NUMBER** is the part number that has been assigned to a specific part by SandenVendo America, Inc., for easier identification.

 - III **QUANTITY REQUIRED** relates to the amount required of a part, or will be indicated by "A/R" (as required) to attach it to another part.

 - IV **PART NAME AND DESCRIPTION** is the general description for the part, for easier identification when ordering a like part.

 - V **HARDWARE** is identified by a letter in a hexagon. Refer to hardware list section or description and part numbers. See pages C-4 and C-5.
-

The example below will show how the parts are listed in the parts lists:

- 1. **VEND MOTOR ASSEMBLY:** This is the main assembly name, and any replaceable parts will be indented below the assembly.

- 2. **RETAINER CAM:** This is an individual part, and will be indented. These indented parts can be ordered separately, so you do not need to order the entire assembly.

- 3. Whenever an assembly is ordered, all the parts that are indented will be included in the assembly. Any hardware will be listed next to their corresponding parts.

- 4. Any parts that may be ordered separately will not have any indented parts listed below them.



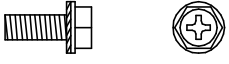


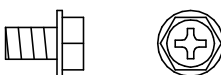

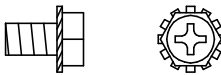
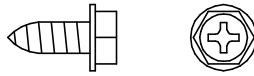
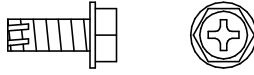
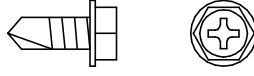
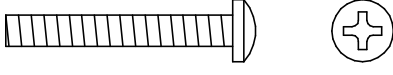
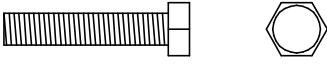

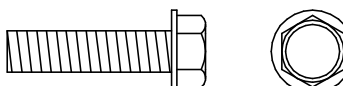
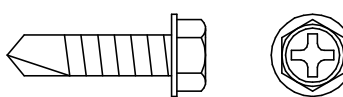
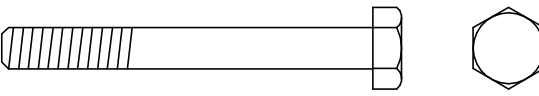
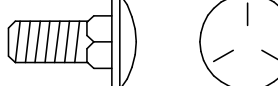
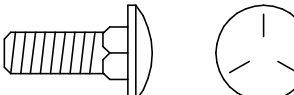
ITEM NO	DESCRIPTION	QTY REQ	PART NO.
1	VEND MOTOR ASSEMBLY	~	1115821
2	RETAINER CAM	1	1113244
3	TIMING CAM	1	1113236

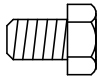

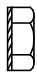
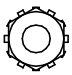
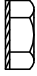
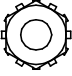






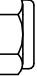

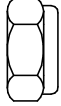


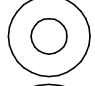

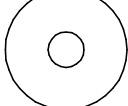

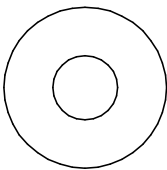
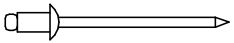
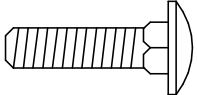

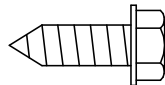



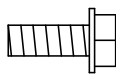

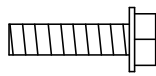


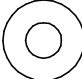
If an asterisk is listed below the parts list, it is an indication that special information is noted. There may be more than one asterisk (*) (**) (***) denoting special notes.

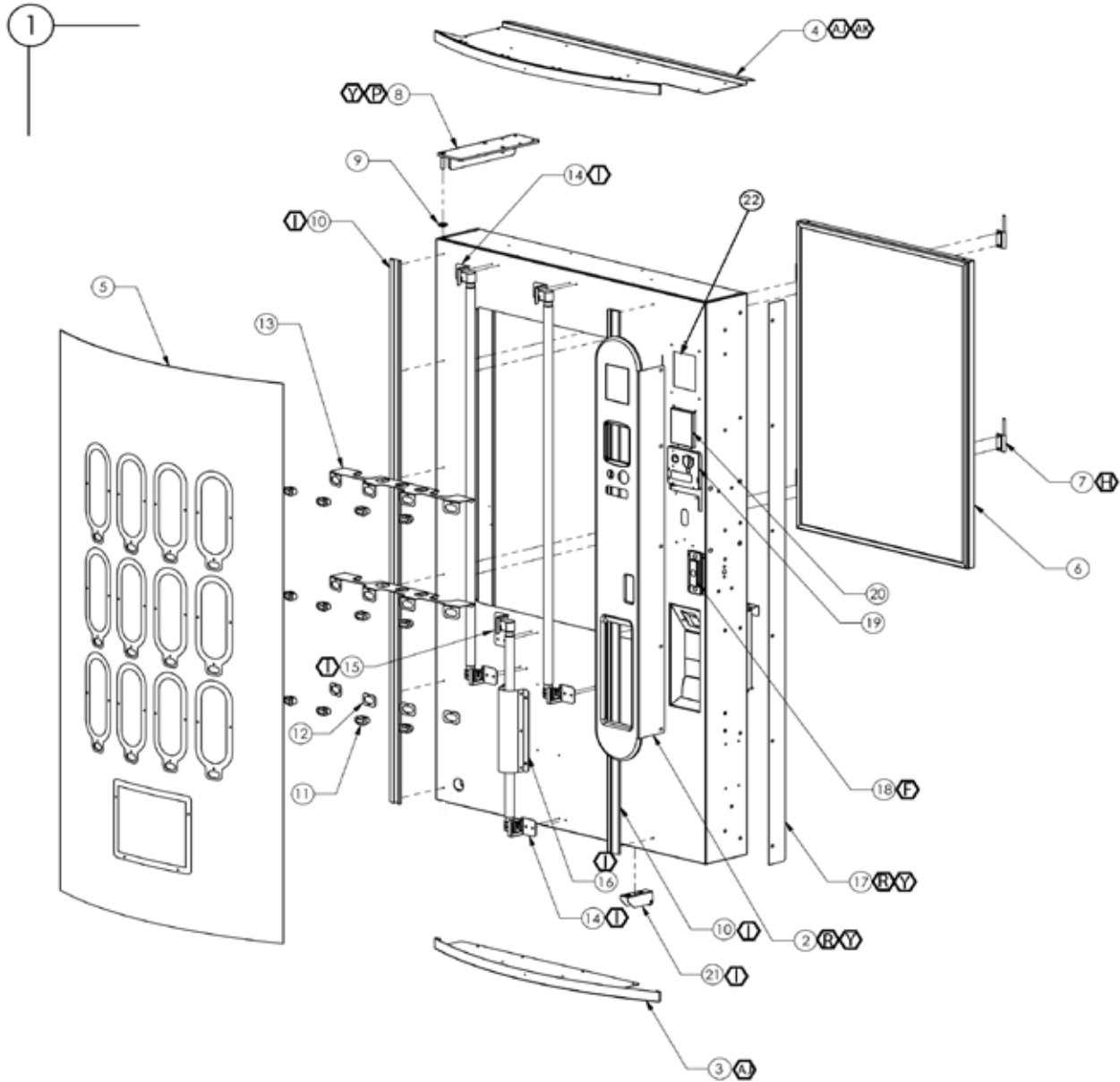


Purposely left blank

HARDWARE LIST

PART NO.	DESCRIPTION	PICTORIAL
A	V800762 #8 X 5/16" TAPPING SCREW	
B	V802139 #8 X 5/8" TAPPING SCREW	
C	V800586 #8 X 3/8" TAPPING SCREW W / LOCK WASHER	
D	V802214 #8 X 1/2" TAPPING SCREW (FOR PLASTIC)	
E	V801475 #8 X 1/2" TAPPING SCREW	
F	V801421 #10 X 5/16" TAPPING SCREW	
G	V802212 #10 X 3/8" TAPPING SCREW	
H	V802047 #10 X 5/16" TAPPING SCREW W / LOCK WASHER	
I	V802141 #10 X 1/2" TAPPING SCREW	
J	V801422 #10 X 1/2" TAPPING SCREW	
K	V801489 #10 X 1/2" SELF DRILLING SCREW	
L	V800512 #10 X 1-3/8" TAPPING SCREW	
M	V802115 #10 X 1" BOLT	
N	V801360 1/4" X 1/2" TAPPING SCREW W / LOCK WASHER	
O	V801343 1/4" X 1" TAPPING SCREW	
P	V801490 1/4" X 1" SELF DRILLING SCREW	
Q	V802053 1/4" X 2-1/4" BOLT	
R	V802069 1/4" X 5/8" CARRIAGE BOLT	
S	V801434 1/4" X 3/4" CARRIAGE BOLT	

T	V800267	1/4" X 3/8" BOLT		
U	V800956	#8 NUT W / LOCK WASHER		
V	V800952	#10 NUT W / LOCK WASHER		
W	V802111	#10 HEX NUT		
X	V802113	#10 LOCK NUT W / NYLON INSERT		
Y	V800959	1/4" NUT W / LOCK WASHER		
Z	387925	1/4" LOCK NUT W / NYLON INSERT		
AA	V802062	3/8" LOCK NUT W / NYLON INSERT		
AB	V801013	#10 FLAT WASHER		
AC	389026	#10 FLAT WASHER, LARGER O.D.		
AD	V801491	3/8" FLAT WASHER		
AE	V801412	1/8" POP RIVET		
AF	V801435	1/4" 20 X 1" CARRIAGE BOLT		
AG	V802220	1/4" X 3/4" TAPPING SCREW		
AH	1123719	SPACER		
AI	V801422	#10 X 1/2" TAPPING SCREW		
AJ	V802133	#10-16 3/4HX CR SLFDRIL SCREW		
AK	V802301	WASHER,FLT,#12,NEOPRENE		

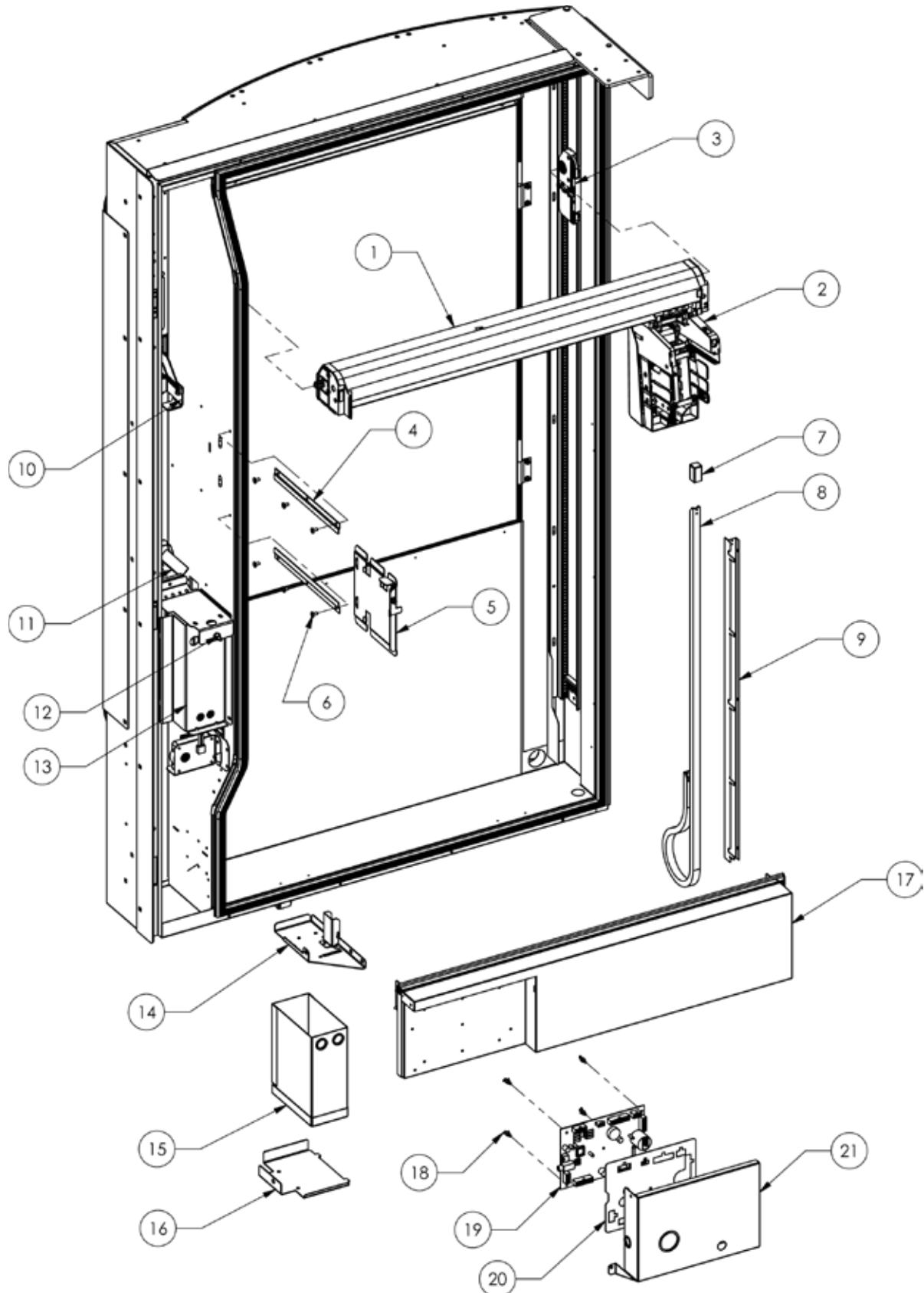




DOOR ASSEMBLY

ITEM NO	DESCRIPTION	QTY.	PART NO
1	SERVICE DOOR ASSEMBLY	~	*
2	CONTROL PANEL - 2 DBV KNOCKOUTS	1	1138338-7
	CONTROL PANEL - 1 DBV KNOCKOUT	1	1138338-6
	CONTROL PANEL - NO DBV KNOCKOUTS	1	1138338-8
3	CAP, SIGN FACE, BOTTOM	1	1159755
4	CAP, SIGN FACE, TOP	1	1159779
5	SIGN FACE	~	*
6	INNER DR,FOAM, 41.5"	1	134302-154
7	HINGE BENT,WITH PIN	2	1162172
8	ASY,UPPER HINGE	1	1160216
10	SIDE TRIM	2	1159767
11	BTN LIVE DISPLAY	12	1087074
12	BRACKET, BUTTON	8	1161283
13	BRACKET SUPPORT SIGN FACE	2	1167595
14	BKT,LAMP SOCKET	5	1160734
15	BKT,UPPER,LAMP SCK,2 FT	1	1161166
16	ASY,BULB GUARD	1	1161336
17	DOOR GUARD	1	*
18	T-HANDLE LOCK ASSEMBY (SEE D24)	1	1133778
19	COIN ENTRY & COIN RETURN ASSEMBLY (SEE D18-D19)	1	~
20	DBV PLUG	1	388216
21	DOOR ROLLER ASSEMBLY	1	1133482-7
22	DECAL PLUG PLATE	1	1166062

* NOTE: WHEN ORDERING SERVICE DOOR ASSEMBLY, CONTROL PANEL, OR DOOR GUARD, PLEASE PROVIDE **9-CODE** AND **MANUFACTURER'S DATE CODE**.

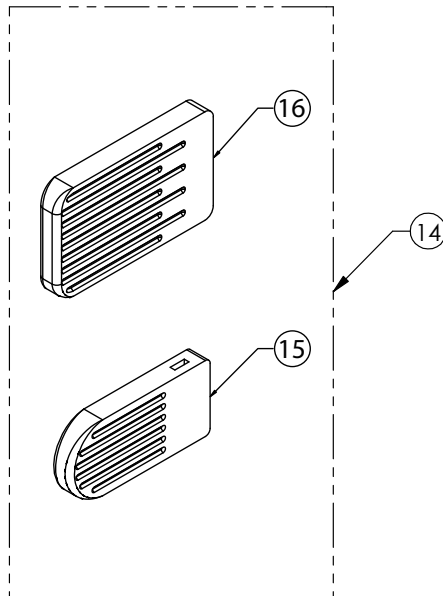
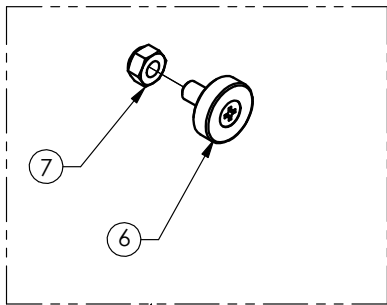
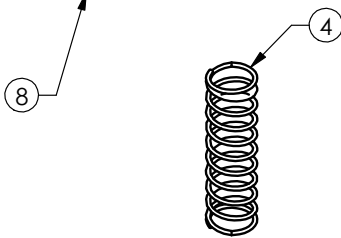
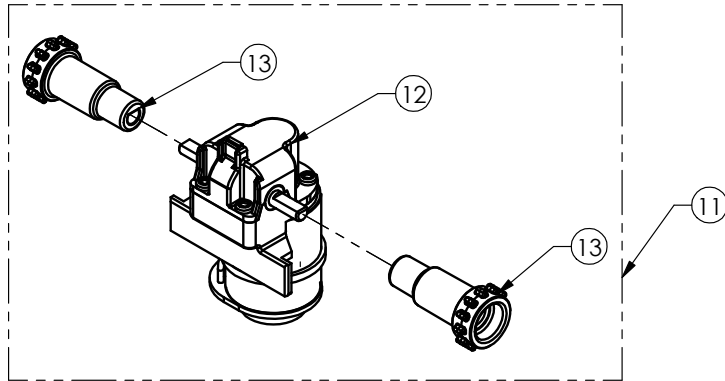
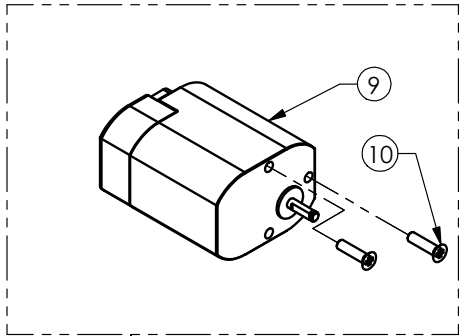
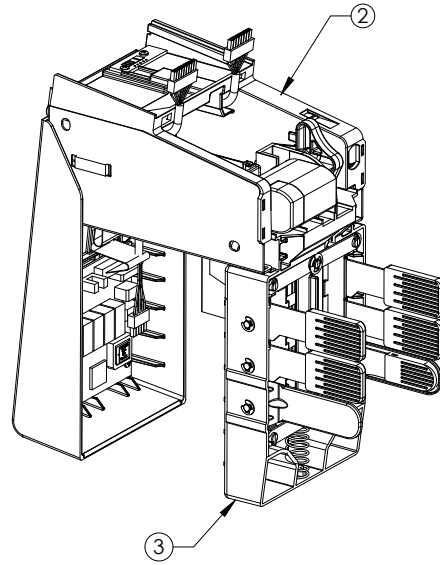
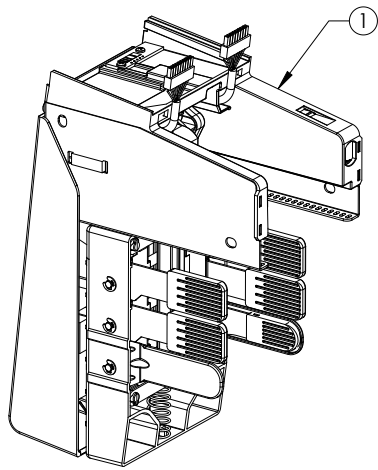




DOOR ASSEMBLY (CONTINUED)

ITEM NO	DESCRIPTION	QTY.	PART NO
1	X-RAIL & X-CARRIAGE ASY (SEE PGS D13-D16)	1	~
2	Z-HOUSING & HAND ASY (SEE PG D8)	1	~
3	Y-RAIL ASY - HINGE SIDE (SEE PGS D9-D10)	1	~
	Y-RAIL ASY - LATCH SIDE (SEE PGS D11-D12)	1	~
4	COINAGE GUIDE MOUNTING BRACKET	2	1130493
5	COINAGE MOUNTING BRACKET	1	1156615
6	SCREW, #10 X 3/8 CR TRUSS TAP	6	V802212
7	COVER, HARNESS LOOP	1	1138923
8	PDC HARNESS (LOWER MOUNTING VMC BD)	1	1156093
9	CABLE GUIDE BRACKET	1	1131356
10	COIN ENTRY & COIN RETURN ASY (SEE PGS D18-D19)	1	~
11	CHUTE, COINBOX	1	1130535
12	SWITCH DOOR DOUBLE POLE	1	1126607
13	DELIVERY ASSEMBLY (SEE PGS D20-D23)	1	~
14	MTG BRACKET ASY, COIN SECURITY OPTION	1	1134061
15	COIN BOX	1	1130789
16	COIN BOX SHELF	1	1154862
17	LOWER INSULATED PANEL ASY-WITH CUT OUT, 41.5"	1	1135661
	LOWER INSULATED PANEL ASY-WITH CUT OUT 34"	1	1136124
18	STANDOFF	7	1121740
19	PCBA - VEC 15.1	1	1155889
20	PCBA COVER	1	1123529
21	CONTROLLER BOARD, COVER	1	1156055

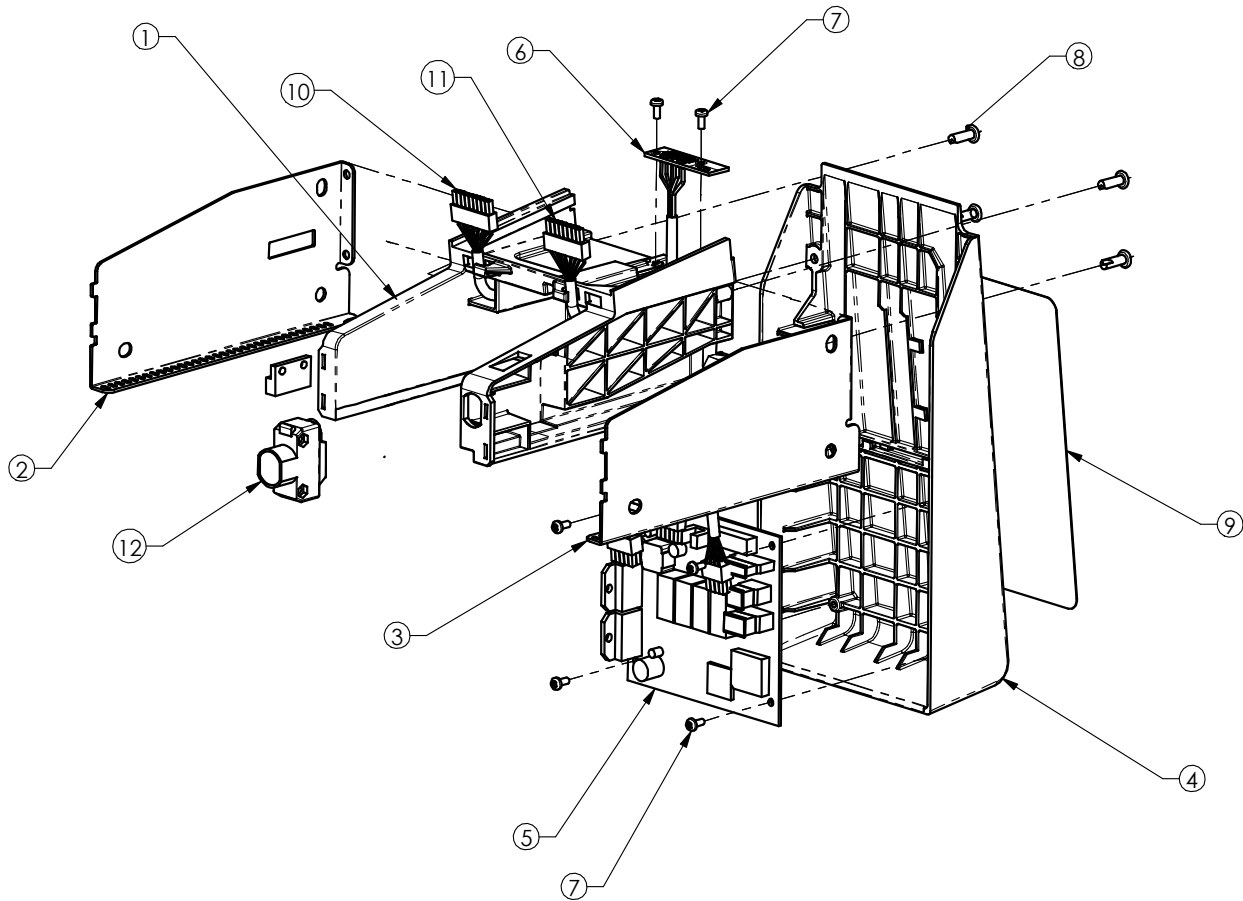
* NOTE: WHEN ORDERING FOAMED DOOR ASSEMBLY PLEASE PROVIDE **9-CODE** AND **MANUFACTURER'S DATE CODE**.





HAND ASSEMBLY

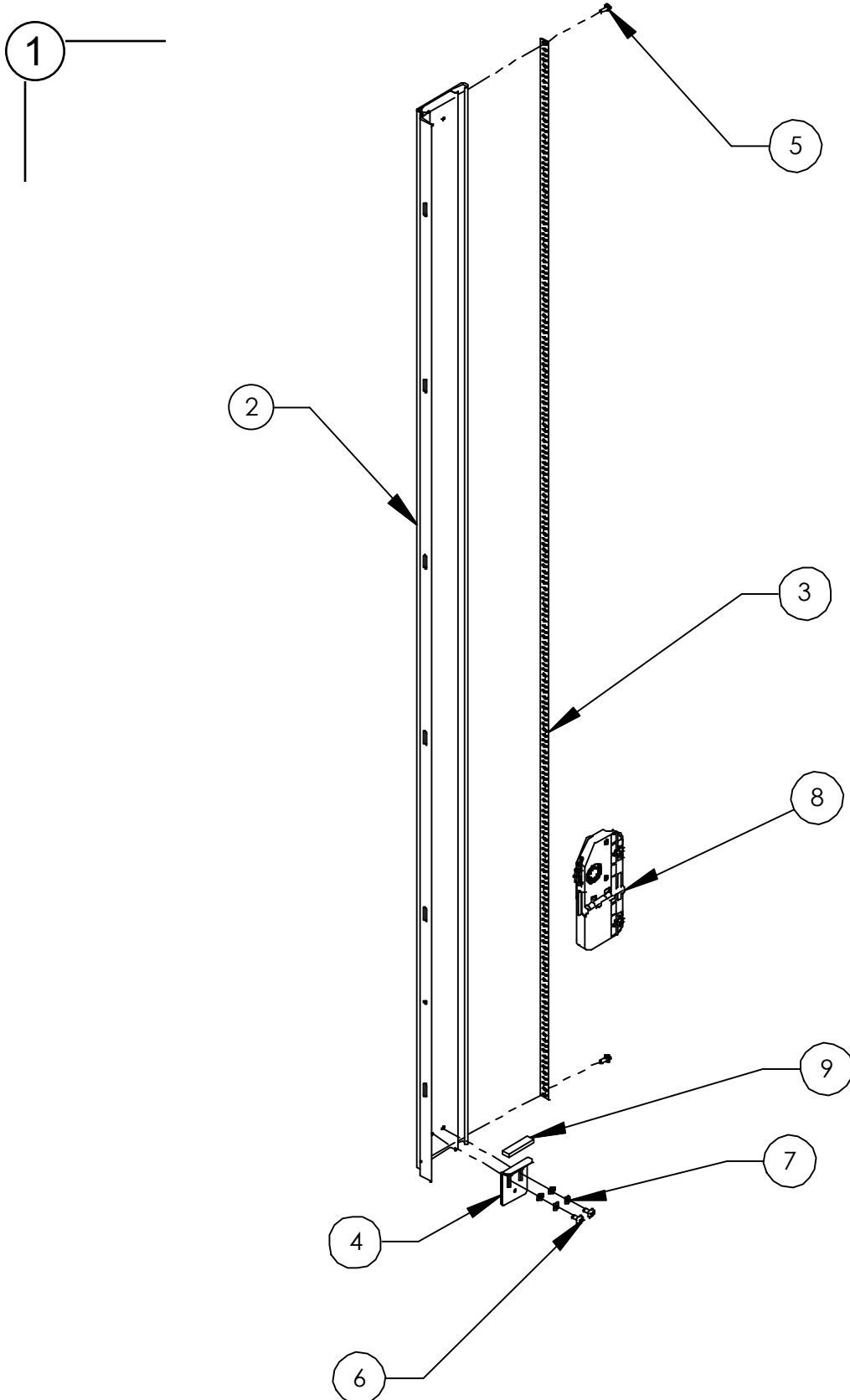
ITEM NO	DESCRIPTION	QTY	PART NO
1	Z HOUSING/HAND ASSEMBLY	1	1184257
2	Z HOUSING ASSEMBLY	1	1133857
3	HAND ASSEMBLY	1	1142366
4	SPRING, DRIVER ASSIST	1	1127303
5	ROLLER GUIDE REPLACEMENT KIT	1	1128060
6	ROLLER GUIDE	1	1125068
7	NYLOCK NUT - 6mm	1	V802235
8	CLAMP MOTOR REPLACEMENT KIT	1	1128061
9	MOTOR, CLAMP AXIS	1	1128800
10	SCREW - 3mm X 12mm - CR FLAT HEAD	2	V802254
11	Z MOTOR REPLACEMENT KIT	1	1128062
12	X-Z DRIVE MOTOR	1	1130602
13	DRIVE WHEEL - Z AXIS	2	1123967
14	FINGER PAD REPLACEMENT KIT	1	1142457
15	GRIPPER - FINGER - GFV	2	1129295
16	PAD - GRIPPER - UPPER/MID	4	1128713



Z HOUSING ASSEMBLY

ITEM NO	DESCRIPTION	QTY	PART NO
1	HOUSING - Z AXIS	1	1128653
2	RAIL - RIGHT	1	1125081-1
3	RAIL - LEFT	1	1125081
4	COVER - BACK	1	1125055
5	PDC CONTROLLER BOARD	1	1133158
6	WIRE ASY, X-MOTOR MATING BOARD	1	1136264
7	TAPPING SCREW - #4 PLASTITE	6	V802186
8	SCREW, # 8 - 10 X 1/2" LG	4	V802214
9	DECAL - BACK COVER	1	*
10	HARNESS - HAND - POWER	1	1126309
11	HARNESS - HAND - DATA	1	1126310
12	SENSOR HARNESS ASSY	1	1126113

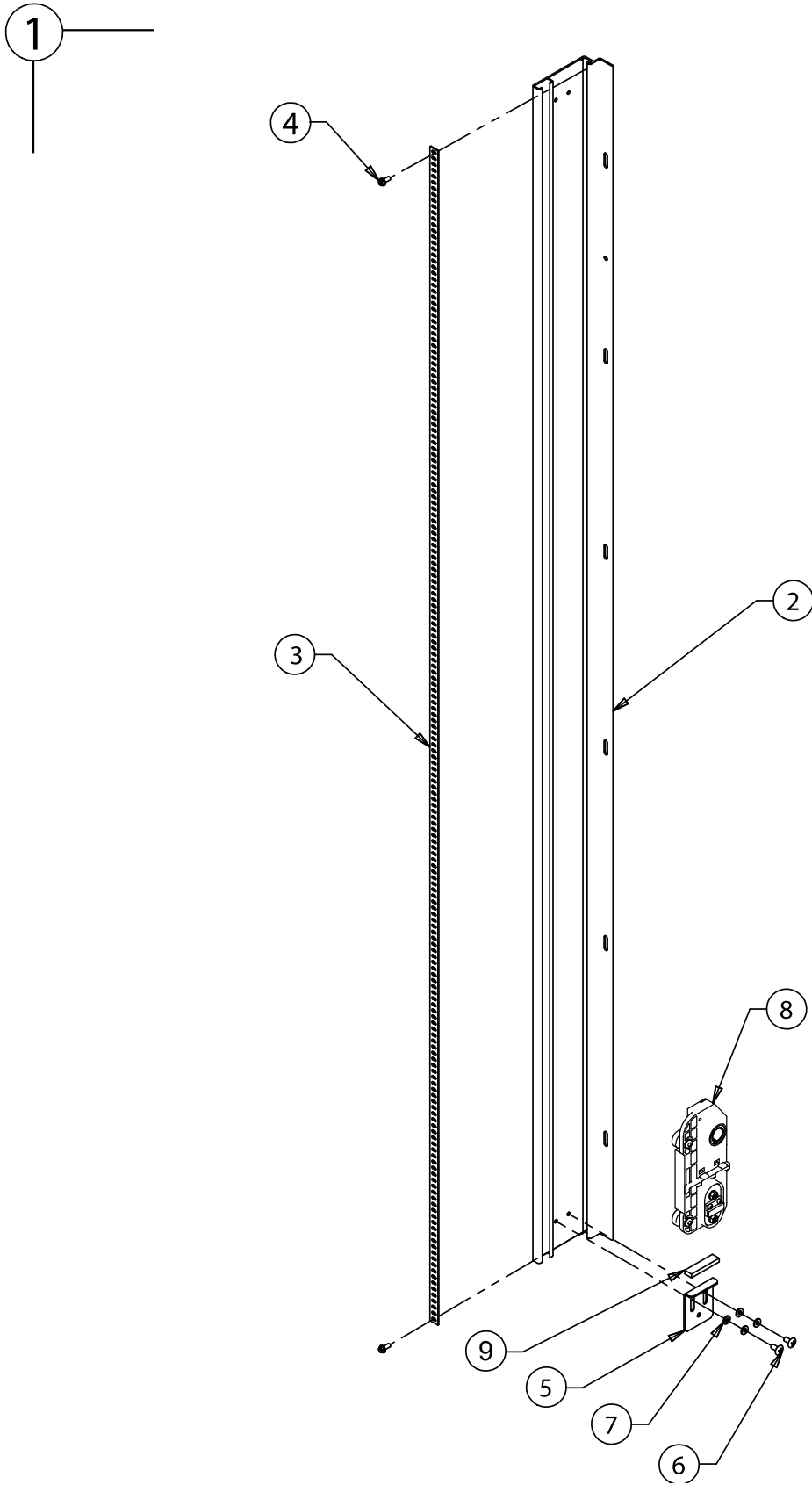
* NOTE: WHEN ORDERING THE DECAL - BACK COVER, PLEASE PROVIDE **9-CODE** AND **STYLE**.





Y RAIL ASSEMBLY - LEFT / HINGE SIDE

ITEM NO	DESCRIPTION	QTY.	PART NO
1	Y-RAIL ASSEMBLY, HINGE SIDE	1	1133419
2	EXTRUSION RAIL - Y AXIS - LEFT	1	1128139
3	STRIP - DRIVE TRACK - Y AXIS	1	1128142
4	BRKT - STOP - Y RAIL	1	1131151
5	8-18 7/16 HEX SLOT STL-ZINC	2	V800586
6	SCREW, #10 - 16 X 3/8	2	V802212
7	WSHR .375 O.D. X .170 I.D.	4	V801455
8	DRIVE CARRAGE ASSY - Y AXIS - LEFT	1	1127863
9	PAD, Y-AXIS STOP, GFV	1	1127935

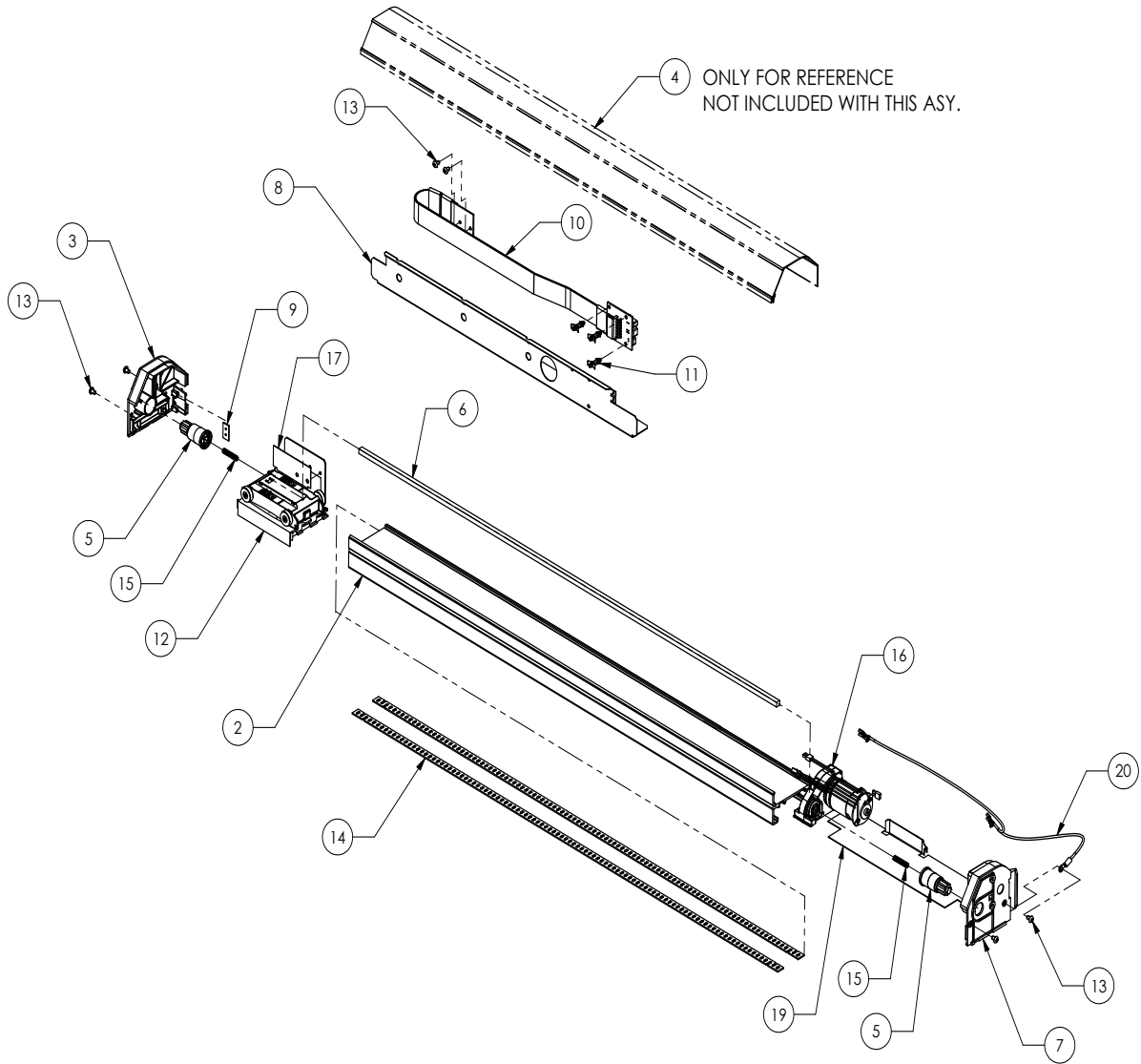




Y RAIL ASSEMBLY - RIGHT / LATCH SIDE

ITEM NO	DESCRIPTION	QTY	PART NO
1	Y RAIL ASSEMBLY, LATCH SIDE	1	1133421
2	EXTRUSION RAIL - Y AXIS - RIGHT	2	1128139
3	STRIP - DRIVE TRACK - Y AXIS	1	1128142
4	8-18 7/16 HEX SLOT STL-ZINC	2	V800586
5	BRKT - STOP - Y RAIL	1	1131151
6	SCREW, #10 - 16 X 3/8	2	V802212
7	WSHR .375 O.D. X .170 I.D.	4	V801455
8	DRIVE CARRAGE ASSY - Y AXIS - RIGHT	1	1127862
9	PAD, Y-AXIS STOP, GFV	1	1127935

1

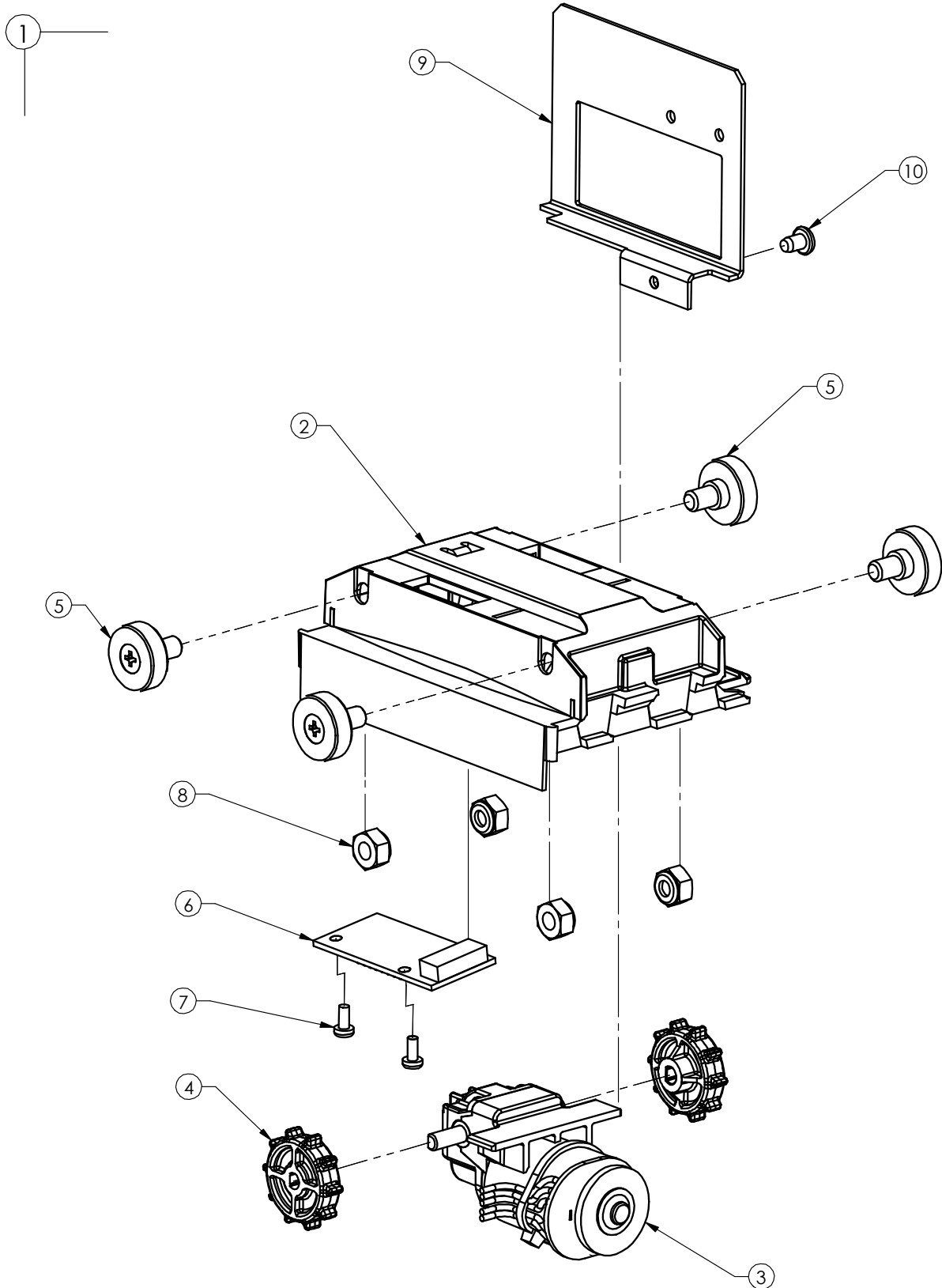




X RAIL ASSEMBLY

ITEM NO	DESCRIPTION	QTY	PART NO
1	RAIL ASSEMBLY - X AXIS - 41.5"	1	1133559
	RAIL ASSEMBLY - X AXIS - 34"	1	1136718
2	EXTRUSION RAIL - X AXIS - 41.5"	1	1127460
	EXTRUSION RAIL - X AXIS - 34"	1	1127460-1
3	END CAP, X-RAIL, LH	1	1127536
4*	COVER, TOP, X-AXIS DRIVE, 41.5"	1	1127534
	COVER, TOP, X-AXIS DRIVE, 34"	1	1127534-1
5	COUPLING, DRIVE	2	1127331
6	SQUARE SHAFT, .25, Y-AXIS, 41.5"	1	1125078
	SQUARE SHAFT, .25, Y-AXIS, 34"	1	1125078-1
7	END CAP, X-RAIL, RH	1	1127535
8	PARTITION, RIBBON CABLE	1	1165305
9	PLATE, TAPPING, END CAP	1	1130833
10	RIBBON CABLE ASSY - X RAIL	1	1127463
11	STANDOFF, PCBA, Y-MOTOR	3	1126194
12	CARRIAGE ASSY, X-AXIS, GFV (SEE D15-D16)	1	1133561
13	SCREW, #8-18 X 1/4	6	V800634
14	STRIP - DRIVE TRACK - X AXIS - 41.5"	2	1128446
	STRIP - DRIVE TRACK - X AXIS - 34"	2	1128446-1
15	SPRING, Y-AXIS DRIVE ROD, GFV	2	1126156
16	DRIVE MOTOR, Y-AXIS	1	1165858
17	SHEET, INSULATOR, GFV TRAV BD	1	1126763
19	RTNR, Y-RAIL, X-RAIL ASY, GFV, 41.5"	1	1165317
	RTNR, Y-RAIL, X-RAIL ASY, GFV, 34"	1	1135317-1
20	GROUND HARNESS	1	1165525

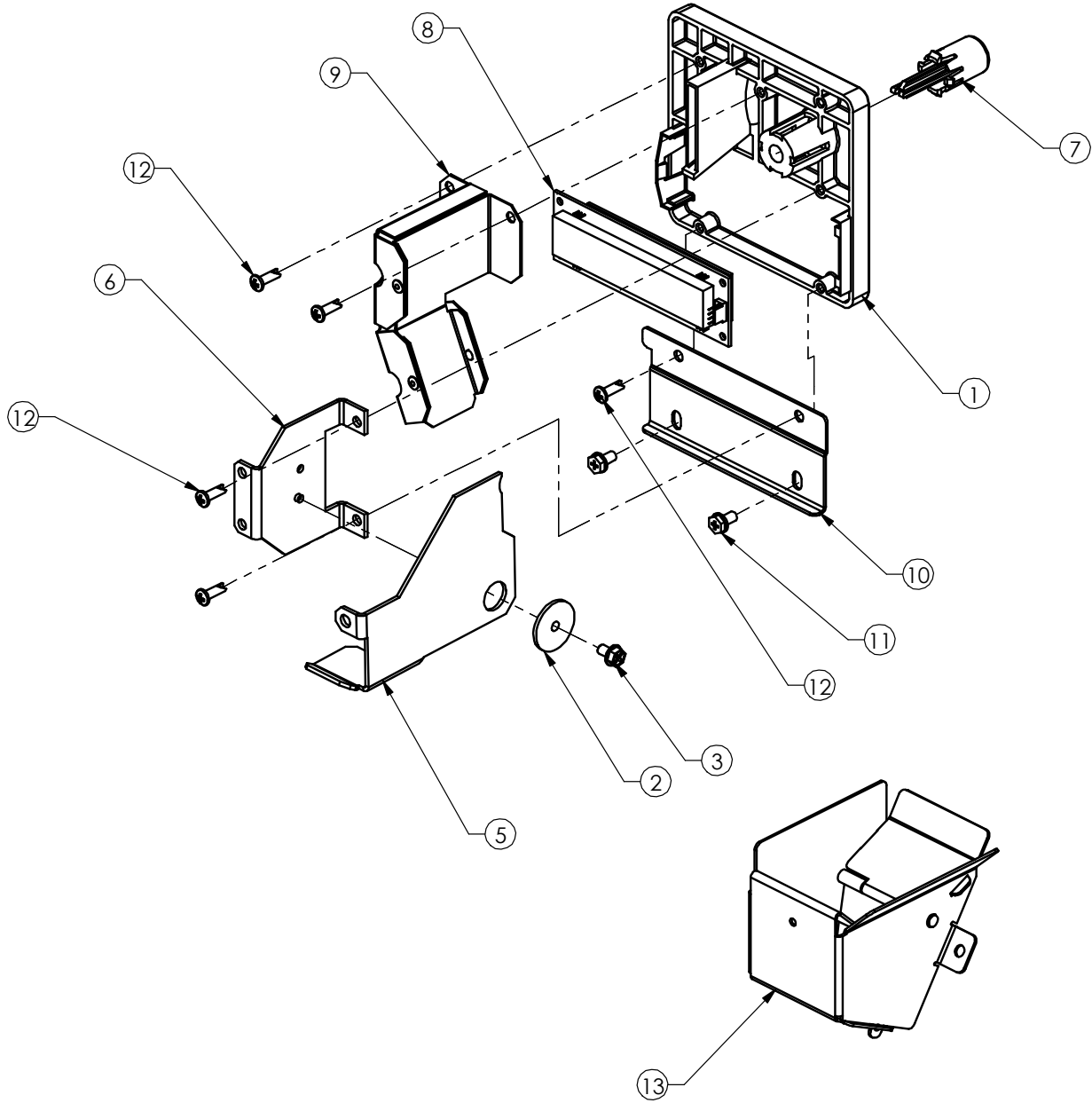
* **NOTE:** REFERENCE PART TO BE ORDERED SEPERATELY IS NOT INLCUDED WITH THIS ASSEMBLY WHEN ORDERED.





X AXIS CARRIAGE ASSEMBLY

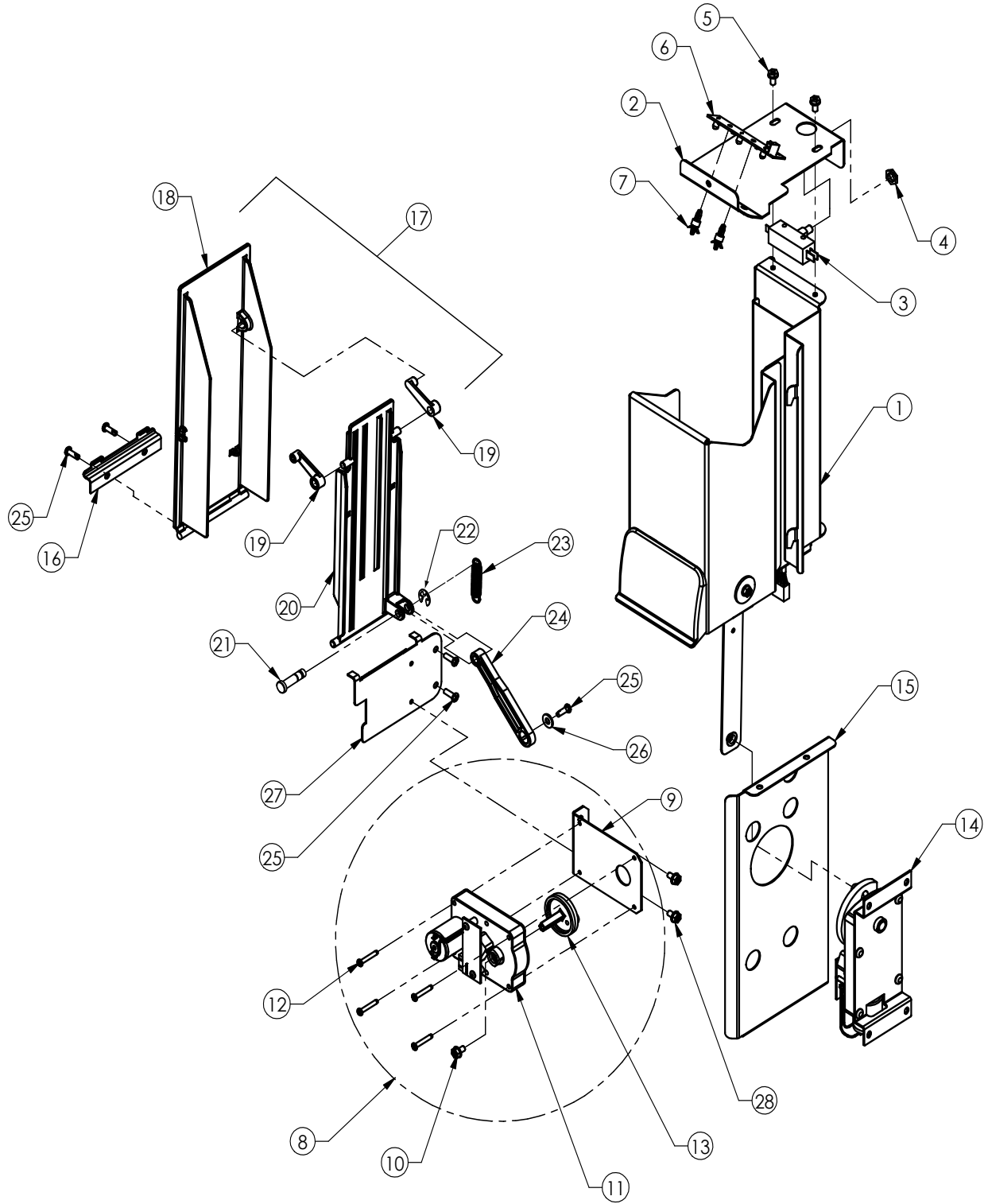
ITEM NO	DESCRIPTION	QTY	PART NO
1	CARRIAGE ASSEMBLY - Y AXIS DRIVE	1	1133561
2	HOUSING - X CARRIAGE	1	1136215
3	X-Z DRIVE MOTOR	1	1130602
4	DRIVE WHEEL - X AXIS	2	1123961
5	ROLLER GUIDE	4	1125068
6	PC BOARD - CONNECTOR - X CARRIAGE	1	1130675
7	TAPPING SCREW - #4 PLASTITE	2	V802186
8	NYLOCK NUT - 6mm	4	V802235
9	BRKT - FFC CABLE ASSY	1	1130365
10	SCREW, # 8 - 18 X 1/4	1	V800634





COIN ENTRY & COIN RETURN ASSEMBLY

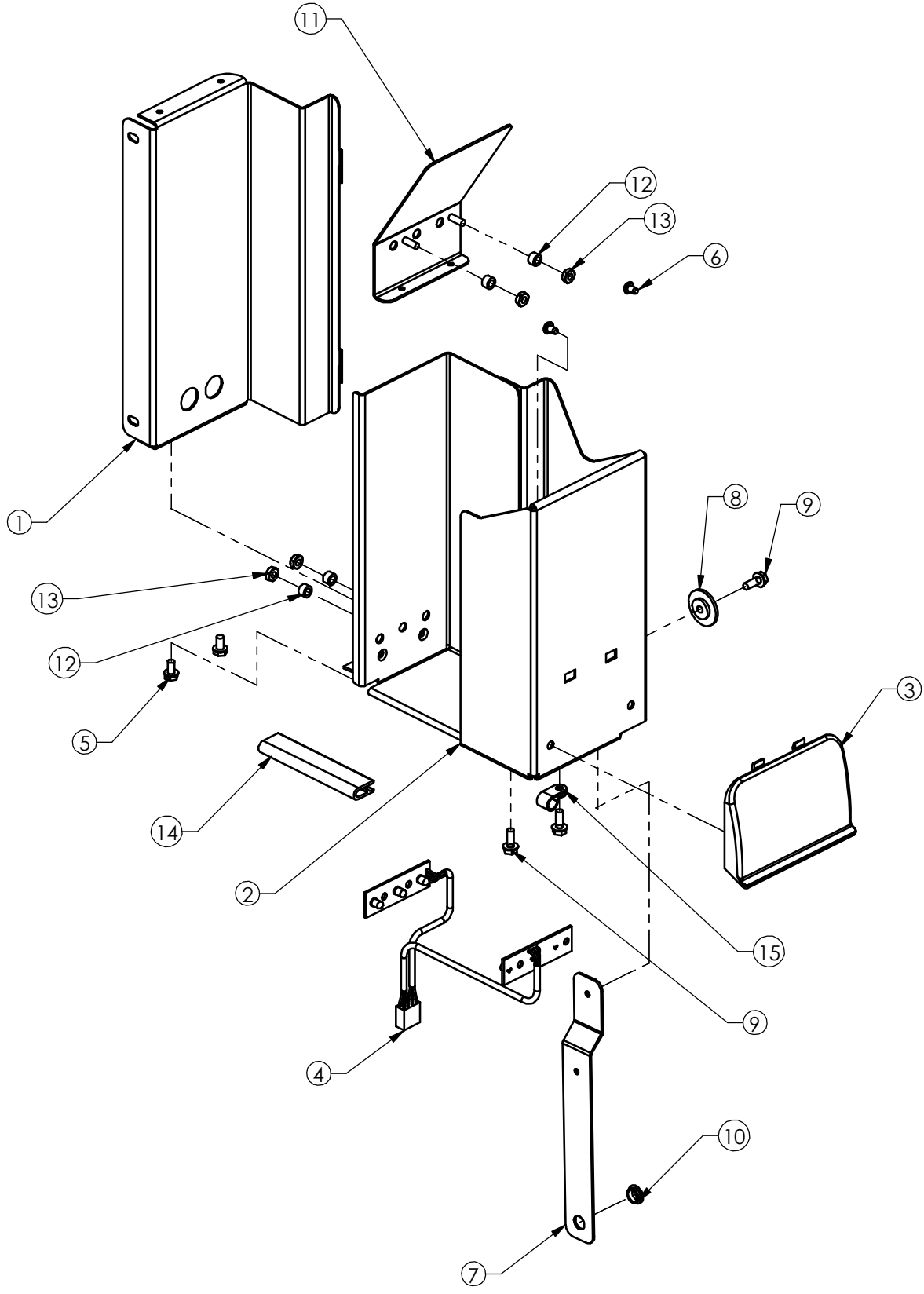
ITEM NO	DESCRIPTION	QTY	PART NO
1	COIN INSERT, GFV	1	1125367
	LEVER,SCAVENGER ASSY, GFV	1	1133652
2	SHOULDER WASHER,NYLON	1	1122715
3	SCRW 10-16 5/16 B CR HEX TAP	1	V801422
4	(K) SPRING SOLD OUT	1	390326
5	LEVER,COIN RETURN,GFV	1	1131072
6	PIVOT BRKT,COIN RETURN LEVER	1	1151241
7	BUTTON, COIN RETURN	1	1050473
8	DISPLAY, 2X20 SERIAL (LED)	1	1121184
9	COIN CHUTE ASSY, GFV	1	1133638
10	BRKT, COIN INSERT SUPPORT	1	1130509
11	SCREW, #10 -16 X 3/8 B CR HEX STL	2	V801421
12	SCREW, # 8 - 10 X 1/2" LG	5	V802214
13	COIN RETURN CHUTE ASSEMBLY	1	1133936





DELIVERY HOPPER AND FLAP ASSEMBLY

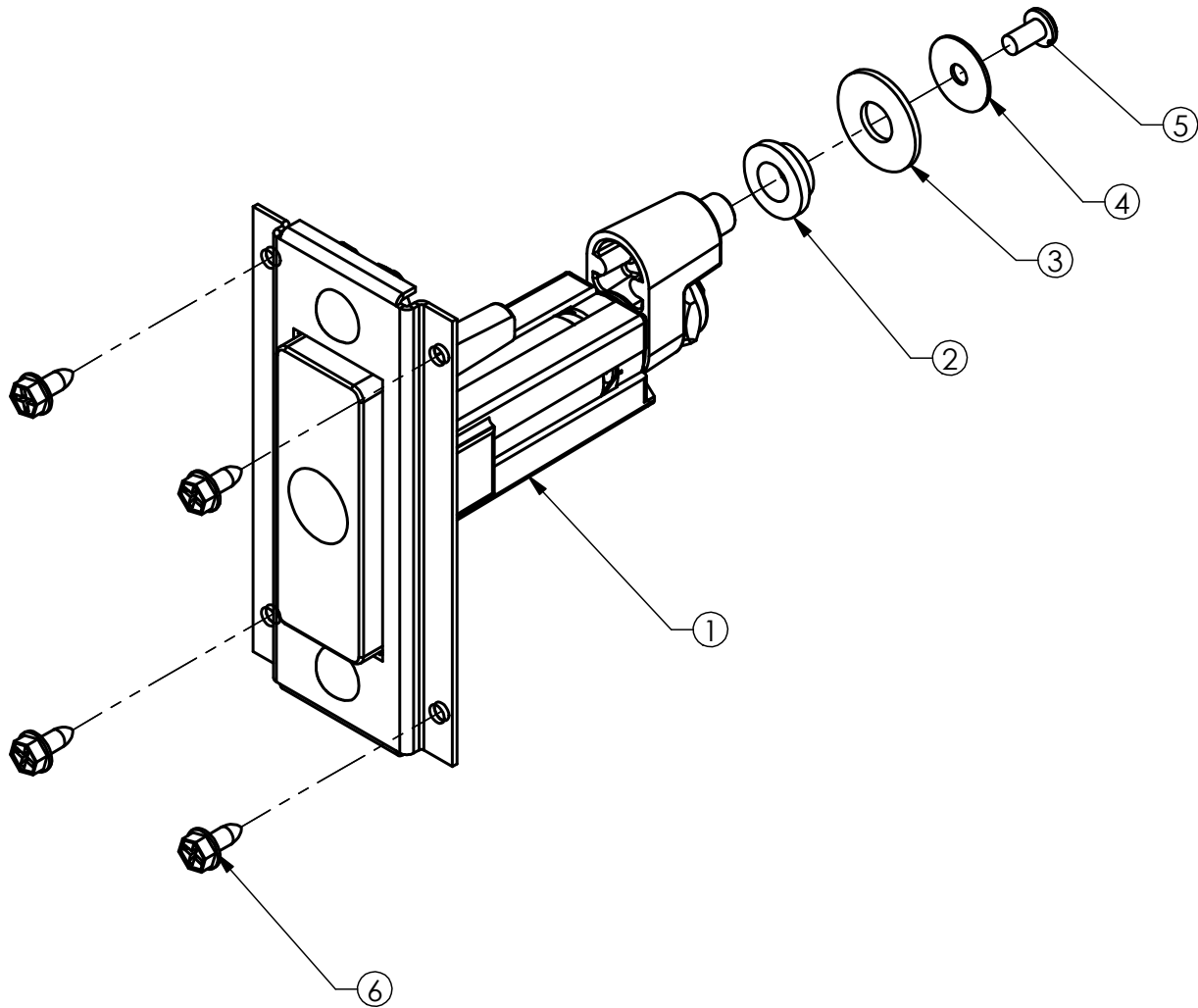
ITEM NO	DESCRIPTION	QTY	PART NO
1	DELIVERY BUCKET ASSEMBLY (SEE D23)	1	1164144
2	COVER PLATE, DELIVERY BUCKET	1	1163746
3	ELECTRIC DOOR SWITCH	1	323007
4	NUT, 3/8-32 X 3/32 HEX	1	V801449
5	SCREW, #10 -16 X 3/8 B CR HEX STL	2	V802047
6	PCBA, HOPPER ILLUMINATION LEDS	1	1130698
7	1/4 NYLON STANDOFF	2	1121740
8	ASSEMBLY, DELIVERY FLAP MOTOR	1	1133407
9	BRKT, DELIVERY FLAP MOTOR MTG	1	1131307
10	SCREW, #10-16 X 5/16 B CR HEX TAP	1	V801421
11	GEAR MOTOR, DELIVERY FLAP	1	1128802
12	SCREW, #8 X 7/8 CR PAN HD	4	V802180
13	CRANK, DELIVERY FLAP MOTOR	1	1128233
14	DELIVERY BUCKET MOTOR	1	1130614
15	BARRIER PANEL, BUCKET MOTOR	1	1131368
16	RETAINER, OUTER FLAP	1	1130455
17	FLAP ASSEMBLY, PRODUCT DELIVERY	1	1128272
18	FLAP, PRODUCT DELIVERY	1	1125871
19	LEVER ARM, DELIVERY FLAP	2	1125873
20	INNER FLAP, PRODUCT DELIVERY	1	1128236
21	PIVOT PIN, INNER FLAP, GFV	1	1128410
22	1/4 E SPG-STL RETAINER RINGS	1	V801077
23	SPRING	1	1126510
24	DRIVE LINK, DELIVERY FLAP	1	1128234
25	SCREW, #8-10X1/2 CR PN THRD CUT 25 ZI	5	V802214
26	WASHER #10 STL PLAIN	1	V801013
27	BRACKET, INNER FLAP RETAINER	1	1131319
28	SCREW, #10-16 X 5/16 B CR HEX TAP	2	V801421





DELIVERY HOPPER ASSEMBLY

ITEM NO	DESCRIPTION	QTY	PART NO
1	BRACKET, DELIVERY BUCKET MOUNTING	1	1162342
2	BUCKET, DELIVERY	1	1164155
3	FOOTER, DELIVERY BUCKET	1	1128191
4	OPTIC DETECTOR ASSY	1	1130728
5	SCREW, #10-16 X 3/8 B CR HEX STL	2	V802047
6	SCREW, # 8-18 X 1/4	2	V800634
7	LINK, DELIVERY BUCKET DRIVE	1	1131473
8	WASHER, SHOULDER, NYLON	1	1122715
9	SCREW, #10 X 1/2	3	V801422
10	BEARING, NYLINER	1	385603-5
11	PLATE, DELIVERY BUCKET FILLER	1	1164805
12	SPACER, NYLON, #10 SCREW, 3/16"	4	1125765-1
13	NUT, #8 - 32 WITH LOCK WASHER	4	V800956
14	EDGE TRIM BUMPER	1	1127310
15	CLAMP .25	1	324099-3



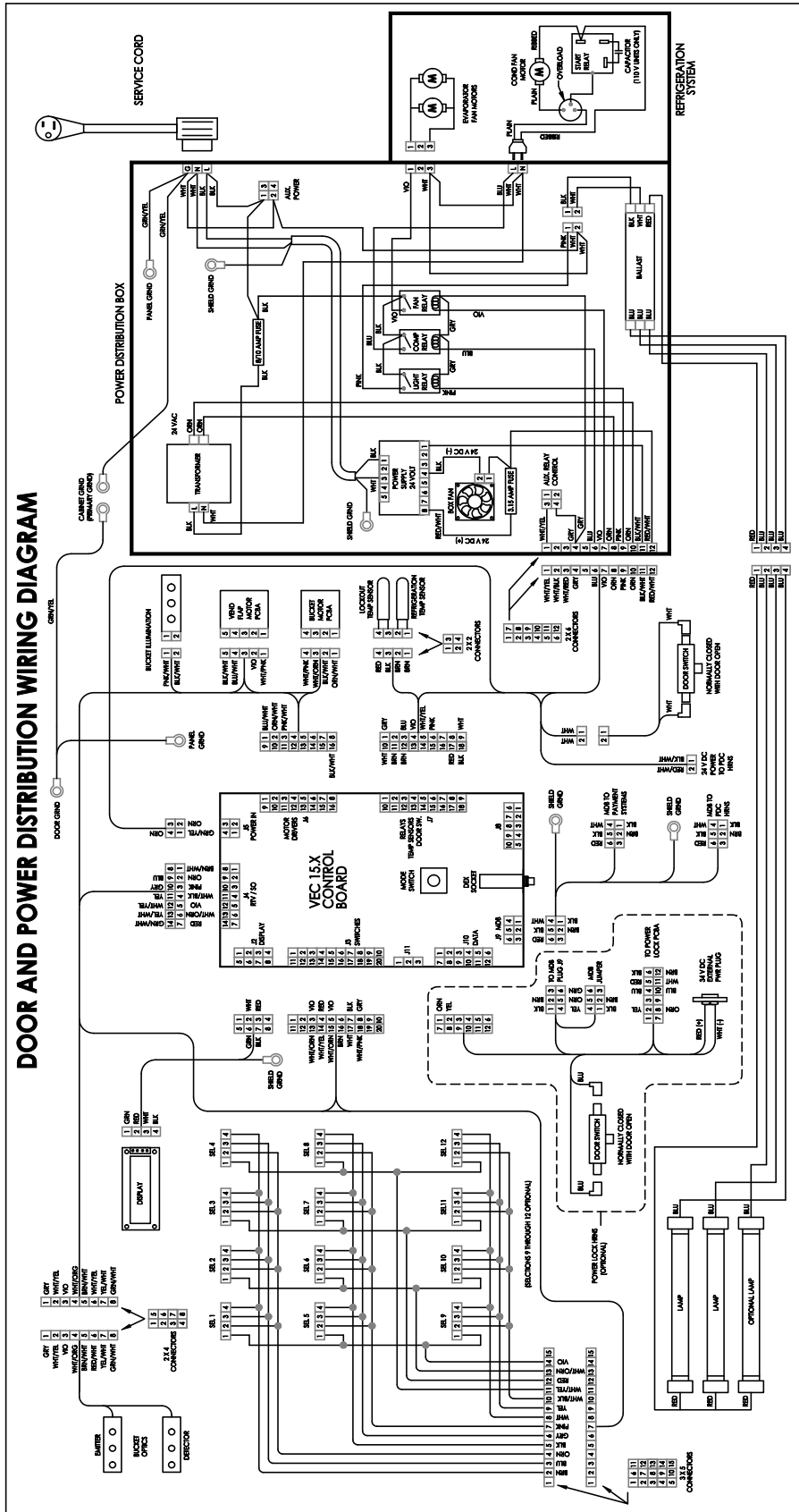
T-HANDLE LOCK ASSEMBLY

ITEM NO	DESCRIPTION	QTY	PART NO
1	T-HANDLE ASSY, GFV	1	1133778
2	SHOULDER SPACER, LOCK CAM	1	1124527
3	WASHER - 3/8, B PLAIN FLAT	1	V801491
4	WASHER, 13/64, LEWIS#24082-200	1	389026
5	SCREW -10-32 X .375, CR PAN H STL MACH	1	V800128
6	SCREW - #10 TAPPING - TYPE F	4	V801421



HARNES QUICK REFERENCE GUIDE

PART NO.	DESCRIPTION	PURPOSE	Vue40	Vue30
1161117	Door Harness	Connects all peripherals to control board	X	X
1161129	Selection Harness - 12 select	Connects the selection buttons to the control board	X	
1163886	Selection Harness - 8 select	Connects the selection buttons to the control board		X
1163357	Light Harness - 2 bulbs	Connects the light bulbs to ballast located inside cabinet	X	
1163369	Light Harness - 3 bulbs	Connects the light bulbs to ballast located inside cabinet		X
1163345	Harness, Cabinet Extension	Connects cabinet to door (SXY40 Only)	X	
1128750	Harness, Low Voltage, Dist.	Located inside power distribution box	X	X
1165548	Harness, High Voltage, Dist.	Located inside power distribution box	X	X
1165767	Grounding, X-Rail V30	Connects x-rail metal parts to ground		X
1165525	Grounding, X-Rail V40	Connects x-rail metal parts to ground	X	
1165501	Harness, Cabinet	Connects cabinet with door	X	X
1165755	Harness, PDC	Connects x-rail to control board	X	X
1165639	Harness, Ballast Asy	Connects ballast to power inputs	X	X





NOTES